

## PRODUCT OVERVIEW

### NEW FABRIC WRAP



The **Decora Fascia** provides a simple but elegant cover to conceal roller blinds that are face or recess mounted. The 100mm fascia profile can be used powder coated for a more minimalist appearance, or can be fabric wrapped to create connection between the blind fabric and the room décor. The system comprises end covers that are fixed to each side, which incorporate the standard 40mm or 55mm steel end brackets for mounting the blind. The **Decora Fascia** allows users to create roller blinds in several different configurations, including **SunBoss** chain operated, **ZeroGravity** cordless or Motorised. A centre bracket is available to be used for a centre support for extra wide fascias or to be used with standard range of **SunBoss** centre link components. The fascia can be used with all tube sizes from 32mm to 63mm in single, multi-linked or LH/RH control configurations.

## FEATURES & BENEFITS

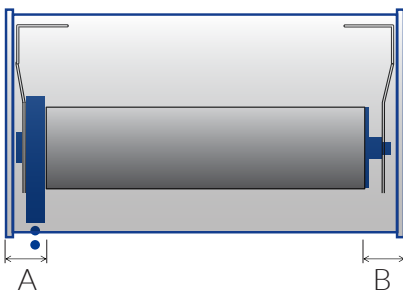
<b>FLEXIBLE INSTALLATION</b>	<ul style="list-style-type: none"> <li>Fascia system can be recess or wall mounted to allow easy snap on of the Decora fascia profile</li> </ul>
<b>FABRIC WRAP OPTION</b>	<ul style="list-style-type: none"> <li>Simple method to fix the fabric securely</li> <li>Wrapping is completely seamless – no visible gaps, bulges or lines</li> <li>Width of fabric required for wrapping = 160mm</li> <li>End Covers also designed for fabric covering</li> </ul>
<b>COLOUR MATCHED END COVERS</b>	<ul style="list-style-type: none"> <li>Provides a finished look for outside wall mounted applications (colours match mounting brackets and bottom bar end caps)</li> </ul>
<b>WIDE RANGE OF LIFT OPTIONS</b>	<ul style="list-style-type: none"> <li>Blinds can be operated using:                             <ul style="list-style-type: none"> <li>- <b>SunBoss</b> clutch</li> <li>- <b>ZeroGravity</b></li> <li>- Spring Blind</li> <li>- Motorised</li> </ul> </li> </ul>
<b>MULTI-LINKED</b>	<ul style="list-style-type: none"> <li><b>SunBoss</b> Multi-Link system is compatible with the Decora Fascia using the same components as open roll blinds. Allows a group of blinds to be linked together and driven by a single clutch or motor. Each link can be adjusted to align the base rail. All brackets are covered by the single fascia.</li> </ul>

## DEDUCTIONS

Single Blind: 40mm, 55mm brackets, covers included in deduction.

Tube Dia.	A	B	F1
38mm	20mm	14mm	35mm
43mm	22mm	15mm	35mm
50mm	20mm	14mm	35mm
63mm	24mm	18mm	43mm

**NOTE: DIMENSIONS "F1" RELATES TO RECOMMENDED FABRIC DEDUCTIONS.**



DIMENSION 'B'		
TIGHT	IDEAL	LOOSE
9mm		18mm
11mm		19mm
9mm		18mm
11mm		19mm

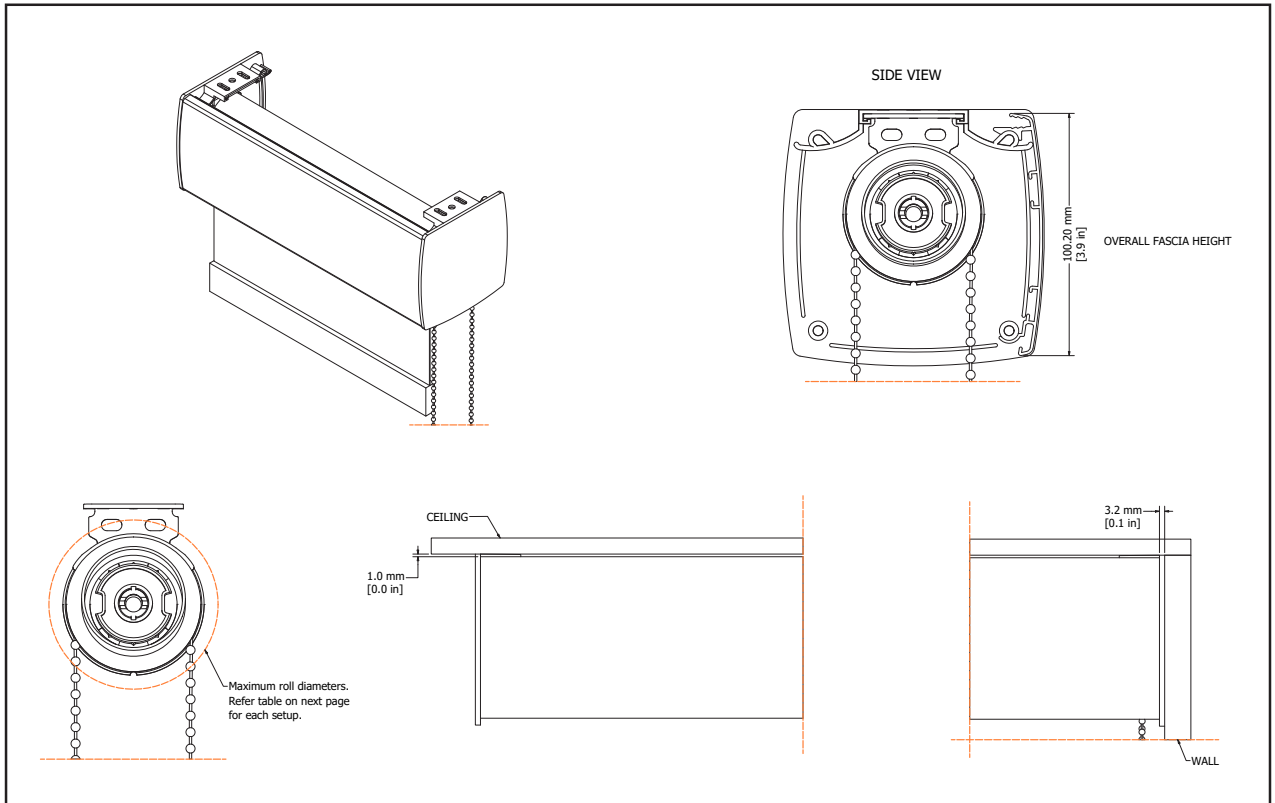
**Clutches:** Use 32mm, 38mm FastRise, 38mm Direct Drive and 38mm Geared

**Motorised:** Motolux Gen3 240V motors - add 3mm to clutch end only




Motolux Gen3 DC motors - no extra deductions required

**Pin Ends:** Use standard

**Tube Adapters:** Use 43mm, 50mm and 63mm as needed



**ORDERING INFORMATION: Base Product Number**

FASCIAS								
COMPONENT	MILL FINISH	COLOUR						PACK QUANTITY
		WHITE	CREAM	BEIGE	GREY	BLACK	ANODISED	
Decora Fascia 	N/A	506221001	506221003	506221711	N/A	506221890	506221901	10lths
End Cap (Set) 	N/A	506263001	506263003	506263711	506263830	506263890	N/A	20 sets
Centre Bracket Foot 	506293000	N/A	N/A	N/A	N/A	N/A	N/A	50pcs

**MAXIMUM ROLL DIAMETERS**

BRACKET	MOUNT	ROLL	MAX DIA.
40mm Single	Face	Back	76mm
	Face	Front	76mm
	Top	Back	76mm
	Top	Front	72mm
55mm Single	Face	Back	80mm
	Face	Front	65mm
	Top	Back	94mm
	Top	Front	70mm

**NEW FABRIC WRAP**



**USEFUL LINKS**

