



## PRODUCT OVERVIEW

The **SunBoss Anti-Ligature Roller Blind System** is designed to provide a safe solution for mounting single roller blinds and some other types of blinds in environments where personal safety through self-harm is of greatest concern. The specially designed system uses a number of key features to reduce the risk of self-harm through strangulation, including:

- The roller blind uses the patented **ZeroGravity** lift system, which operates without chains or cords and ensures there are no cord loops that can be used for self-harm.
- Magnetic release brackets ensure the blind support system cannot sustain the weight of a person attempting self-harm.
- The **ZeroGravity** lift system ensures that blinds are held in perfect balance throughout entire range of operation, meaning there are no high loads on magnetic brackets caused by strong spring pressures that can cause false release of the mounting system.
- Magnetic release brackets available for top-fix and face-fix installations.

The **SunBoss Anti-Ligature Roller Blind System** is designed to work in conjunction with the Kestrel magnetic release brackets. Kestrel is a world leader for design and development of anti-ligature systems for blinds and curtains.

## ORDERING INFORMATION: Base Product Numbers

| COMPONENT  | COLOUR      |           |       |           |       |           |          | MAX ROLL DIAMETER | PACK QTY     |
|--|-------------|-----------|-------|-----------|-------|-----------|----------|-------------------|--------------|
|  | MILL FINISH | WHITE     | CREAM | GREY      | BEIGE | BLACK     | ANODISED |                   |              |
| Top Rail profile                | 506631000   | 506631001 | N/A   | N/A       | N/A   | N/A       | N/A      | N/A               | 5.5m lengths |
| Anti-Ligature Bracket Top fix   | N/A         | 508411001 | N/A   | N/A       | N/A   | N/A       | N/A      | N/A               | 1            |
| Anti-Ligature Bracket Face Fix  | N/A         | 508412001 | N/A   | N/A       | N/A   | N/A       | N/A      | N/A               | 1            |
| Magnetic Fixing Disk            | N/A         | 508413001 | N/A   | N/A       | N/A   | N/A       | N/A      | N/A               | 1            |
| Anti-Ligature End Cap           | N/A         | 506636001 | N/A   | 506636830 | N/A   | 506636890 | N/A      | N/A               | 50 pcs       |

# ANTI-LIGATURE BLIND SYSTEM

## ALL BRACKETS

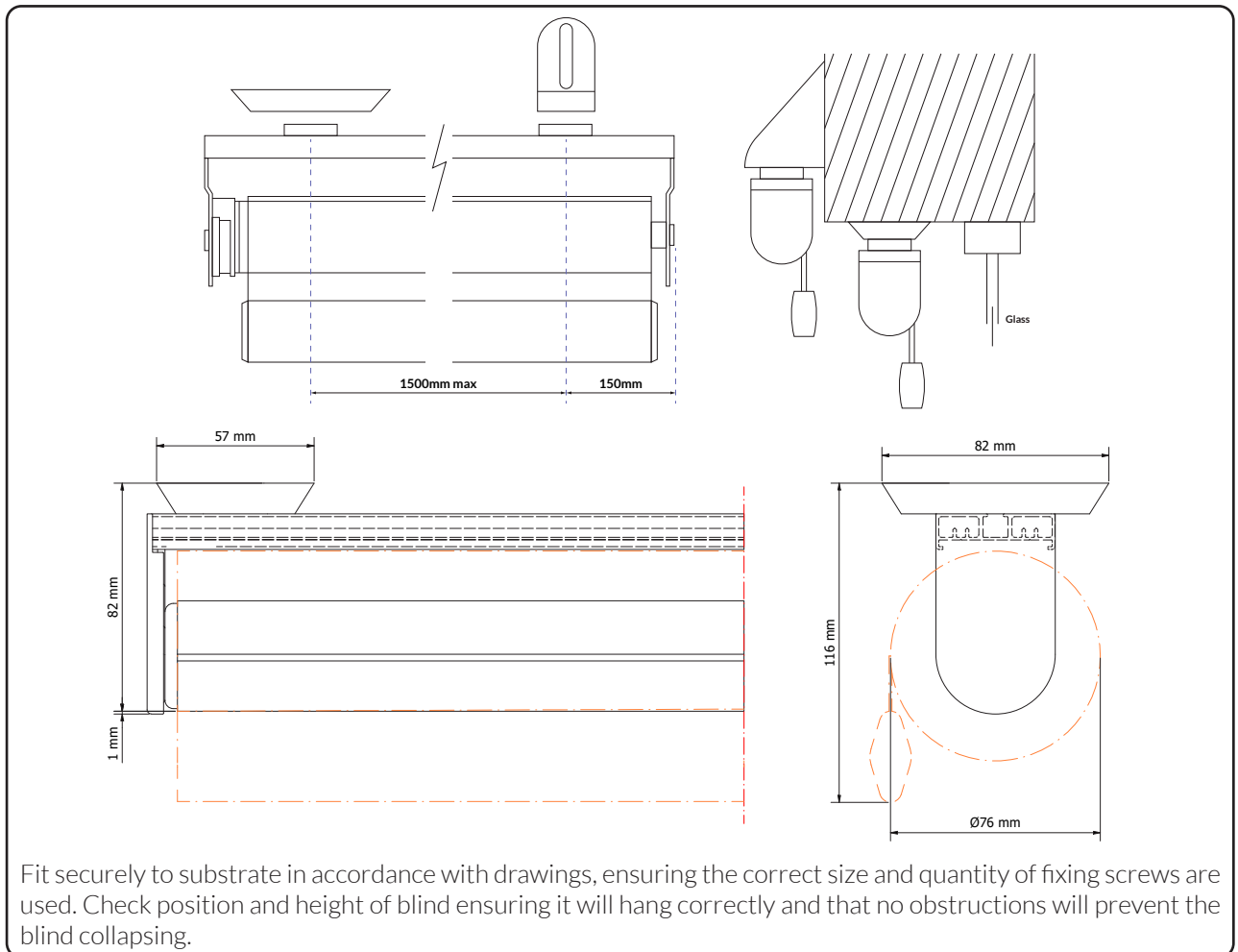
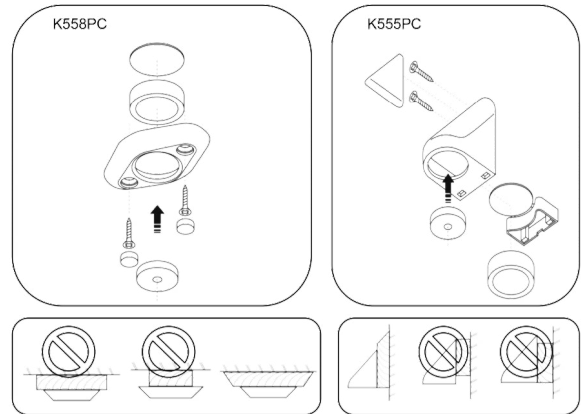
This system should be regularly inspected to ensure that there is no damage or evidence of tampering of the fittings.

## FITTING INSTRUCTIONS

Attach the discs to tracks with countersunk screws or rivets as per the below spacing guide and as evenly as possible.

Suggested number of brackets for Roller Blinds:

| WIDTH                                 | # OF BRACKETS |
|---------------------------------------|---------------|
| Up to 1800mm                          | 2             |
| 1801 - 2700mm                         | 3             |
| 2701 - 3600mm                         | 4             |
| Every 1800mm on add another 1 bracket |               |



Fit securely to substrate in accordance with drawings, ensuring the correct size and quantity of fixing screws are used. Check position and height of blind ensuring it will hang correctly and that no obstructions will prevent the blind collapsing.

## USEFUL LINKS

