

PRODUCT OVERVIEW



The **SunBoss** 100mm (4") fascia has been designed from the ground up to give users a new level of performance and appearance. Now designed to be easily fabric wrapped, the fascia profile can coordinate perfectly with the chosen blind fabric for a perfectly seamless decorator look. The larger 100mm profile size also allows for larger roller blinds to be fitted behind, including using 63mm (2.5") tube and 45mm tubular motors. There is no notching required during manufacture and there is a wide range of centre bracket options available. Of course, the 100mm fascia works perfectly with **SunBoss** chain operated clutches, **ZeroGravity** chainless and motorised roller blinds.

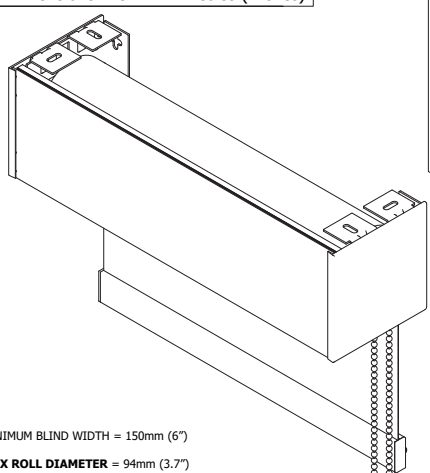
FEATURES & BENEFITS

FLEXIBLE, HIGH QUALITY BRACKETS	<ul style="list-style-type: none"> Mounting brackets can be ceiling, wall or laterally mounted to allow easy snap on of Fascia profiles.
FABRIC WRAP OPTION	<ul style="list-style-type: none"> Front profile can be quickly and easily wrapped with any fabric to perfectly match the fabric, without using double sided tape. Wrapping is completely seamless- no visible gaps, bulges or lines. Simple method to fix the fabric securely Width of fabric required for wrapping = 210mm
COLOUR MATCHING BRACKET COVERS	<ul style="list-style-type: none"> Provides a finished look for outside wall mounted applications (colours match mounting brackets and bottom bar end caps)
CLIP ON DESIGN	<ul style="list-style-type: none"> The Fascia securely locks onto each bracket and can be easily removed to allow access to the blind. Also can easily be mounted reverse roll.
CHAIN GUARD DESIGN	<ul style="list-style-type: none"> Clip on chain diverter allows chain to hang away from the fascia and maintains a smooth feel during operation. Notching the fascia is not required.
WIDE RANGE OF LIFT OPTIONS	<ul style="list-style-type: none"> Blinds can be operated using: <ul style="list-style-type: none"> - SunBoss clutch - ZeroGravity - Spring Blind - Motorised
VERSATILE BLIND CONFIGURATIONS	<ul style="list-style-type: none"> Blind drive can be installed on either mounting bracket.
MULTI-LINKED	<ul style="list-style-type: none"> SunBoss Multi-Link system is compatible with the 100mm Fascia using same components as open roll blinds. Allows a group of shades to be linked together and driven by a single clutch or motor. Each link can be adjusted to align the bottom bars together. All brackets can be covered by a single fascia.
AUTOMATION OPTIONS	<ul style="list-style-type: none"> Allows for motorised controls with wireless remotes, switches or other smart devices



DIMENSIONS

All Dimensions Are In Millimetres (Inches)



LIGHT GAPS (APPROXIMATE)

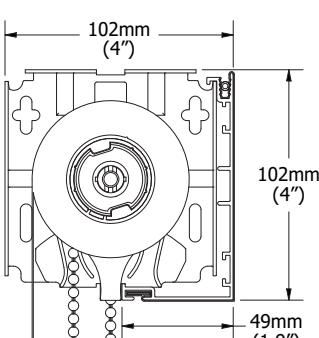
12mm (0.5") 18mm (0.7")

FASCIA AND COVER COLOURS:

WHITE CLEAR BLACK
ANODISED

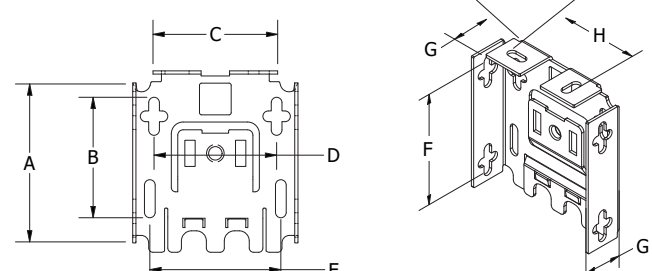
MINIMUM BLIND WIDTH = 150mm (6")
MAX ROLL DIAMETER = 94mm (3.7")

FASCIA SIZES
100mm (3¹¹/₁₆) SQUARE FASCIA
SIDE VIEW



102mm (4")
102mm (4")
49mm (1.9")

BRACKET MEASUREMENTS

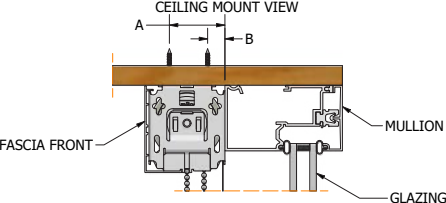


System	A	B	C	D	E	F	G	H
100mm Fascia	93.7mm (3.7")	70mm (2.75")	82.6mm (3.25")	81mm (3.2")	81mm (3.2")	79.4mm (3.2")	30.2mm (1.2")	57mm (2.25")

FIXING DIMENSIONS

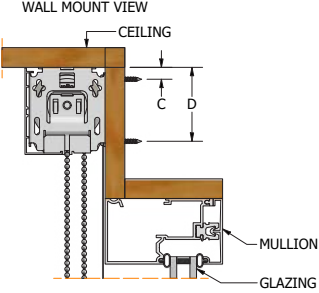
All Dimensions Are In Millimetres (Inches)

CEILING MOUNT VIEW



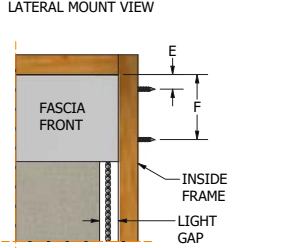
A → B →

WALL MOUNT VIEW



CEILING → C → D →

LATERAL MOUNT VIEW



E → F →

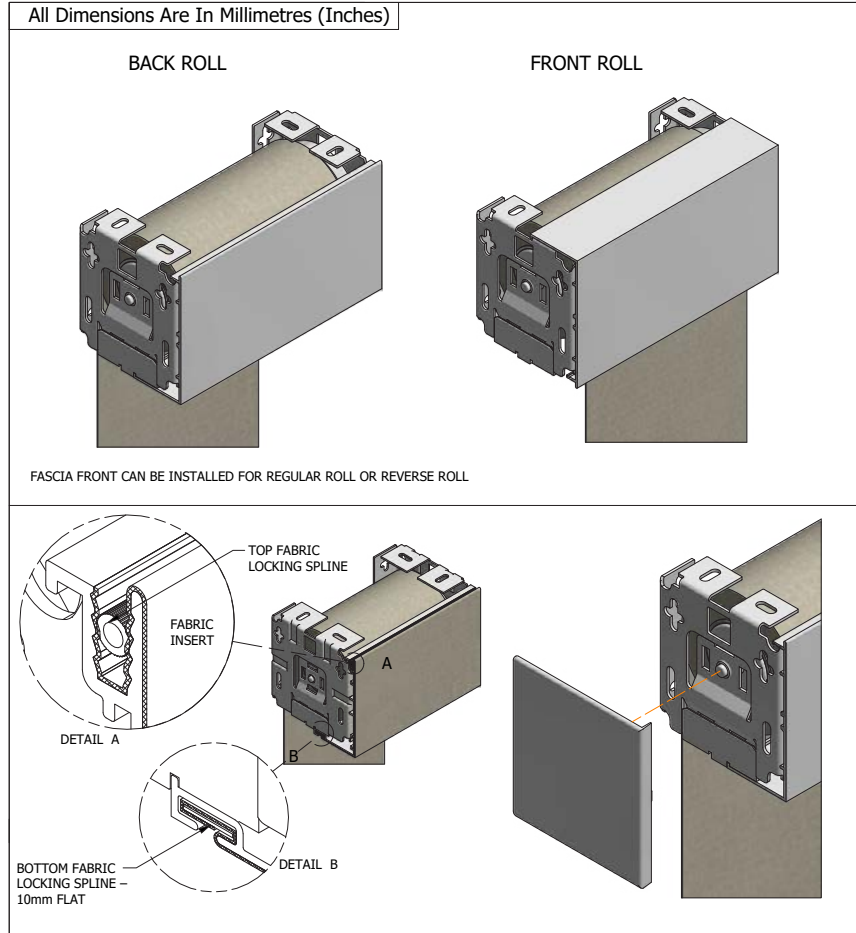
FASCIA FRONT MULLION GLAZING

COVERS CANNOT BE USED FOR LATERAL MOUNT APPLICATIONS

System	Fascia Front & Mounting Brackets Considered					
	A	B	C	D	E	F
100mm Fascia	75mm (3.0")	27mm (1.1")	13mm (0.5")	92mm (3.6")	17mm (0.7")	79mm (3.1")

A = MEASUREMENT FROM WALL FACE TO FURTHEST SCREW
D = MEASUREMENT FROM CEILING FACE TO FURTHEST SCREW
F = MEASUREMENT FROM CEILING FACE TO FURTHEST SCREW

CONFIGURATIONS



DEDUCTIONS

Single Blind: All Sunboss brackets, covers not included

Tube Dia.	A	B	F1
38mm	17mm	11mm	29mm
43mm	19mm	12mm	29mm
50mm	17mm	11mm	29mm
63mm	21mm	15mm	37mm

NOTE: DIMENSIONS "F1" RELATES TO RECOMMENDED FABRIC DEDUCTIONS.

DIMENSION 'B'		
TIGHT	IDEAL	LOOSE
6mm		15mm
8mm		16mm
6mm		15mm
10mm		20mm

Clutches: Use 32mm, 38mm FastRise, 38mm Direct Drive and 38mm Geared

Motorised: Motolux Gen3 motors - add 3mm to clutch end only






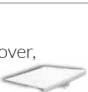


Pin Ends: Use standard

Tube Adapters: Use 43mm, 50mm and 63mm as needed

Covers: Add 2mm extra deduction for each cover



ORDERING INFORMATION: Base Product Number

FASCIAS										
COMPONENT	MILL FINISH	COLOUR						ANODISED	MAX ROLL DIAMETER (mm)	PACK QUANTITY
		WHITE	CREAM	BEIGE	GREY	BLACK				
100mm Square Fascia 	506211000	506211001	N/A	N/A	N/A	506211890	506211901	94mm	6lths	
4mm Fabric Locking Tube 	N/A	N/A	N/A	N/A	N/A	506334890	N/A	N/A	200mtrs	
Centre Link Bracket 	N/A	506244001	N/A	N/A	N/A	506244890	506244901	94mm	10pcs	
Centre Support Bracket 	N/A	506245001	N/A	N/A	N/A	506245890	506245901	N/A	10pcs	
End Bracket 	N/A	506241001	N/A	N/A	N/A	506241890	506244901	94mm	20pcs	
Bracket Cover, Square 	N/A	506261001	N/A	N/A	N/A	506261890	506261901	N/A	40pcs	
Chain Diverter Kit 	N/A	506291001	N/A	N/A	N/A	506291890	506291901	N/A	20pcs	
Dummy Diverter 	N/A	5061999001	N/A	N/A	N/A	5061999890	5061999901	N/A	50pcs	

USEFUL LINKS

