

## PRODUCT OVERVIEW



**ZeroGravity** is a unique technology (patent pending worldwide) that allows the spring tension to be quickly and simply adjusted to perfectly match the weight of the roller blind, no matter the width, fabric weight or tube size. As a result, the roller blind always remains in perfect balance. A smaller “Mini-ZeroGravity” allows the same to happen for very narrow roller blinds to just 300mm (12”) wide.

The roller blind can be raised and lowered by simply urging the base rail up or down by hand with little effort. No chains or cords are required, making this product ideal for spaces where children may occupy the room or building. The unique design uses a specially developed balanced spring that counteracts the weight of the blind, reducing the normal lift effort by up to 95% while keeping the blind in perfect balance throughout its travel.

**ZeroGravity** springs can also be used in conjunction with low power DC motors to assist them to lift larger size roller blinds. The spring generally replaces the idler end in these DC motor installs, with the motor torque being much reduced due to the balanced blind setup.

Finally, **ZeroGravity** springs can be fitted to **SunBoss** clutches to create ultra-light operating roller blinds that can be sold into premium residential and/or commercial applications.

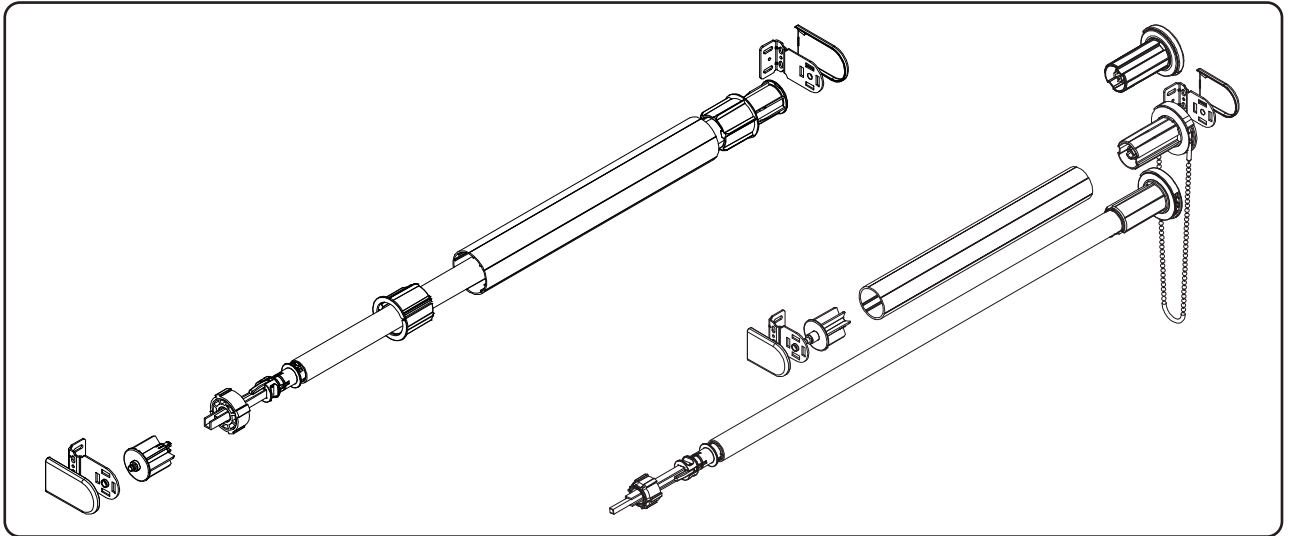
## FEATURES & BENEFITS

<b>MODULAR</b>	<ul style="list-style-type: none"> <li><b>ZeroGravity</b> fully integrates into all <b>SunBoss</b> brackets, which means it works with single and double blinds; fascia, cassette and rail systems etc.</li> </ul>
<b>NEARLY EFFORTLESS OPERATION</b>	<ul style="list-style-type: none"> <li>The weight of the spring can be quickly and simply adjusted to always match the weight of the roller blind perfectly, no matter the width, fabric weight or tube size.</li> </ul>
<b>SMALLER LIGHT GAP</b>	<ul style="list-style-type: none"> <li>Total deduction 24mm; 12mm each side.</li> </ul>
<b>SMOOTH AND QUIET</b>	<ul style="list-style-type: none"> <li>The <b>ZeroGravity</b> system is almost perfectly quiet, smooth operating and never heavy to lift.</li> </ul>
<b>FLEXIBLE</b>	<ul style="list-style-type: none"> <li>Roller blinds can stop at any position without the use of a chain.</li> </ul>
<b>VERSATILE</b>	<ul style="list-style-type: none"> <li>Chain operated, Chainless operation, Low power DC Motorisation</li> </ul>

SIZES	MINI ZEROGRAVITY	CHAIN OPERATED			CHAINLESS / DC MOTORISATION		
		LIGHT	MEDIUM	HEAVY	LIGHT	MEDIUM	HEAVY
SPRING SIZE							
Minimum Blind Width	300mm	710mm	985mm	1045mm	690mm	940mm	1000mm







## SPRING LAYOUTS



### ORDERING INFORMATION: Base Product Number

**ZeroGravity** has been kitted to simplify the ordering process. Different configurations are available, Left- and Right-hand operation, plus LIGHT, MEDIUM, and HEAVY DUTY. The clutch mounted version is a single part number replacement for a standard spring assist and attaches to the following **SunBoss** clutches - 38mm Direct Drive, 38mm Geared and FastRise. The DC Motorisation version is supplied as a kit that includes the spring unit and bracket adapter disk for simpler installation to all **SunBoss** brackets.

COMPONENT	COLOUR			PACK QUANTITY
	NATURAL	WHITE	BLACK	
<b>CHAINLESS</b>				
 ZeroGravity Spring Chainless (Integrated Hooks) Heavy Duty, Left and Right	N/A	503624001L 503624001R	503624890L 503624890R	10pcs
 ZeroGravity Spring Chainless (Integrated Hooks) Medium Duty, Left and Right	N/A	503625001L 503625001R	503625890L 503625890R	10pcs
 ZeroGravity Spring Chainless (Integrated Hooks) Light Duty, Left and Right	N/A	503626001L 503626001R	503626890L 503626890R	10pcs
<b>CHAIN OPERATED - CLUTCH MOUNTED</b>				
 ZeroGravity Spring Booster Kit, Clutch Fit, Heavy Duty, Left and Right	503611000L 503611000R	N/A	N/A	10pcs
 ZeroGravity Spring Booster Kit, Clutch Fit, Medium Duty, Left and Right	503612000L 503612000R	N/A	N/A	10pcs
 ZeroGravity Spring Booster Kit, Clutch Fit, Light Duty, Left and Right	503613000L 503613000R	N/A	N/A	10pcs

**ORDERING INFORMATION: Base Product Number cont.**

COMPONENT	COLOUR			PACK QUANTITY
	NATURAL	WHITE	BLACK	
<b>DC MOTORISATION</b>				
ZeroGravity Spring Kit, Suit DC Motor, Chainless, Heavy Duty, Left and Right 	N/A	503621001L 503621001R	503621890L 503621890R	10pcs
ZeroGravity Spring Kit, Suit DC Motor, Chainless, Medium Duty, Left and Right 	N/A	503622001L 503622001R	503622890L 503622890R	10pcs
ZeroGravity Spring Kit, Suit DC Motor, Chainless, Light Duty, Left and Right 	N/A	503623001L 503623001R	503623890L 503623890R	10pcs
<b>ACCESSORIES</b>				
Weight Rod (Suit ZG) Suits Flat Deluxe 	502419000	N/A	N/A	75pcs
Weight Rod (Suit ZG) Suits Oval Deluxe 	10255200	N/A	N/A	20pcs
<b>ADAPTER WHEELS</b>				
Universal Adapter Wheel 38mm 	503992100	N/A	N/A	25pcs
Universal Adapter Wheel 43mm 	503992200	N/A	N/A	25pcs
Universal Adapter Wheel 50mm 	503992300	N/A	N/A	25pcs
Universal Adapter Wheel 63mm 	503992400	N/A	N/A	25pcs
Rubber Spring Assist Adapter Wheel 38mm 	503883000	N/A	N/A	25pcs
Rubber Spring Assist Adapter Wheel 40mm UNI 	503884000	N/A	N/A	25pcs

**ORDERING INFORMATION: Base Product Number cont.**

COMPONENT	COLOUR			PACK QUANTITY
	NATURAL	WHITE	BLACK	
<b>ADAPTER WHEELS</b>				
Rubber Spring Assist Adapter Wheel 43mm 	503885000	N/A	N/A	25pcs
Rubber Spring Assist Adapter Wheel 50mm 	503886000	N/A	N/A	25pcs
Rubber Spring Assist Adapter Wheel 63mm 	503887000	N/A	N/A	25pcs

**COMPATIBILITY CHART**

	40mm Uni 38mm	45mm Uni 43mm	50mm	32mm Single 63mm	40mm Single	55mm Single	75mm Single	Compact Double	Recess Double	75mm Double	Double Fascia	80mm Fascia	MEGA System
Clutch Mounted	◆	◆	◆	◆	◆	◆	◆	◆	◆	◆	◆	◆	◆
Chainless	◆	◆	◆	◆	◆	◆	◆	◆	◆	◆	◆	◆	◆
Mini ZG	◆					◆	◆	◆	◆	◆	◆	◆	◆
	TUBE SIZE					BRACKET							

◆ - Compatible    ■ - Fast Rise only    ● - Limited drops

**RELATED PRODUCTS**

**Deluxe Bottom Rail**

Blindware recommends that **ZeroGravity** be used with the Blindware range of Deluxe Bottom Rails. The Deluxe Bottom rails used with **ZeroGravity** are a heavier weight profile with a void for Weight Rods to be used in achieving the target weight of at least 500g/metre. 1.5m Weight Rods are well suited and available to order.



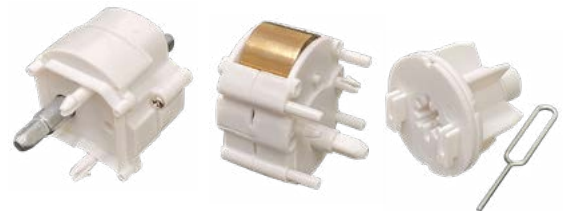
SunBoss Deluxe Flat Base Rail



SunBoss Deluxe OvalBase Rail

**Mini ZeroGravity**

**Mini ZeroGravity** is a unique technology that can be used to make chainless roller blinds that are operated from the base rail over the entire range of travel. The unique spring system allows the **Mini ZeroGravity** product to be used in very narrow blind applications, where a regular ZG spring cannot be fitted due to minimum width requirements.



**USEFUL LINKS**



**DROP CHARTS**

