





PRODUCT OVERVIEW

Designed for the fabrication of large single and double roller blinds/shades using larger diameter 63mm (2.5") tube and having large roll diameter. It can also be used with 50mm (2") tube. **SunBoss** MEGA-system brackets include many features that make them ideal for fabrication of extra-large roller shades greater than 3mtr (10') wide.

The MEGA brackets can work with clutch operated roller blinds/shades, plus motorised and **ZeroGravity** chainless. The idler end bracket uses a purpose designed bracket insert with integrated precision bearing for quiet and low friction operation.

ORDERING INFORMATION: Base Product Number

MEGA (HEAVY DUTY) SYSTEM BRACKETS					
COMPONENT	COLOUR			MAX ROLL DIAMETER	PACK QTY
	CLEAR ANODISED	WHITE	BLACK		
SINGLE BRACKET - CLUTCH / MOTOR END					
Bracket 	N/A	504551001	504551890	87mm	1pc
Cover 	504835901	504835001	504835890	N/A	1pc
SINGLE BRACKET - CENTRE / IDLER END					
Bracket 	N/A	504552001	504552890	87mm	1pc
Cover 	504835901	504835001	504835890	N/A	1pc

MEGA BRACKETS

Steel Gauge: CRS1018, HRB 65 TO 75 (1/4 HARD). THICKNESS OF MATERIAL 1.897 [0.075 in]

Powder Coat: Electrostatic Paint PPG DURACRON or equivalent

ORDERING INFORMATION: Base Product Number

MEGA (HEAVY DUTY) SYSTEM BRACKETS					
COMPONENT	COLOUR			MAX ROLL DIAMETER	PACK QTY
	CLEAR ANODISED	WHITE	BLACK		
DOUBLE BRACKET - CLUTCH / MOTOR END					
Dbl Bracket (End) LH Drive 	N/A	5042531001	5042531890	90mm	1pc
Dbl Bracket (End) RH Drive 	N/A	5042532001	5042532890	90mm	1pc
Cover 	504835901	504835001	504835890	N/A	1pc
DOUBLE BRACKET - CENTRE / IDLER END					
Dbl Bracket (Centre/End) LH Drive 	N/A	5042533001	5042533890	90mm	1pc
Dbl Bracket (Centre/End) RH Drive 	N/A	5042534001	5042534890	90mm	1pc
Cover 	504835901	504835001	504835890	N/A	1pc
BRACKET INSERT (used to convert to Pin End bracket)					
MEGA System Insert, Independent Link 	N/A	50819000 (Natural)	50819890	N/A	1pc
Insert, MK2 Multi-Link 	N/A	50816000 (Natural)	50816890	N/A	20pcs
Chain Diverter 	N/A	505922000	505922890	N/A	1pc

MEGA BRACKETS

Steel Gauge: CRS1018, HRB 65 TO 75 (1/4 HARD). THICKNESS OF MATERIAL 1.897 [0.075 in]

Powder Coat: Electrostatic Paint PPG DURACRON or equivalent

TECHNICAL DETAILS

Brackets can be top or face mounted. Made of thicker, stronger steel for stability and durability. Double bracket has chain diverter system with ball bearing operation for smoother, quieter operation.

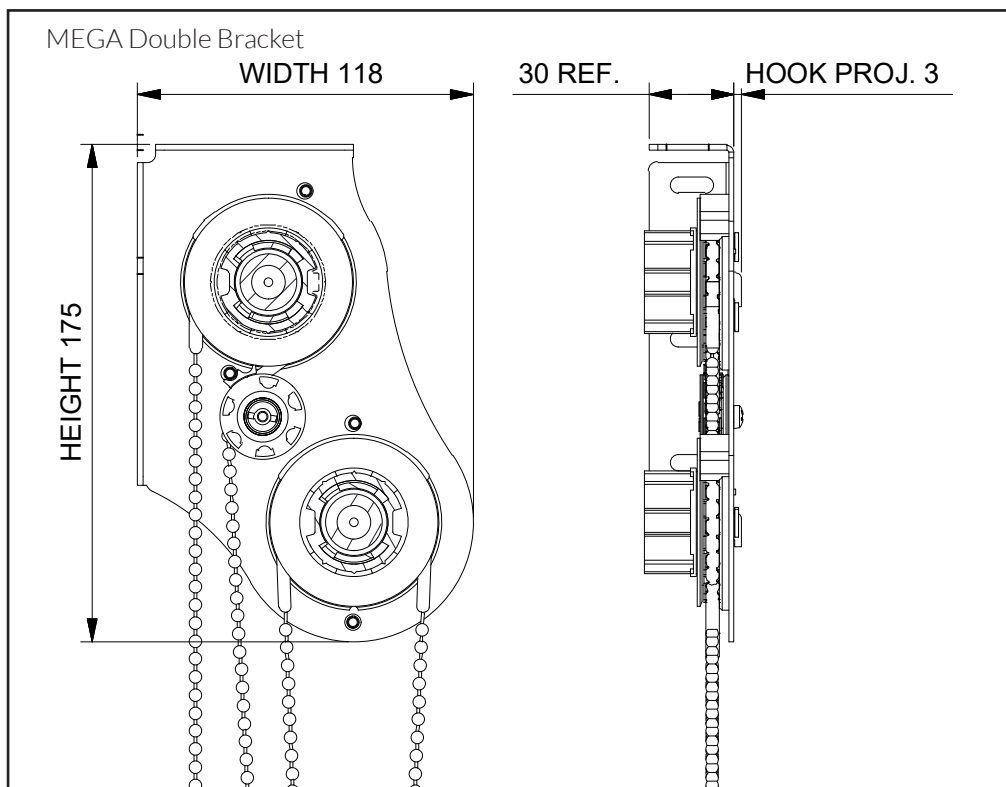
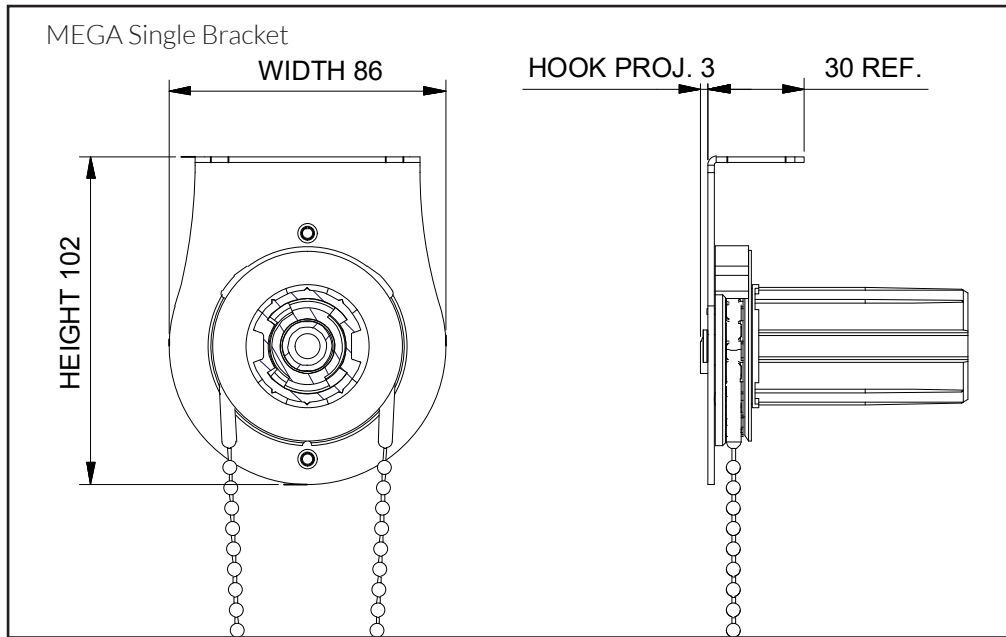
Bracket covers are machined aluminium, with a magnetic catch and locating pin for easy application.

Covers are powder coated to match the brackets, with anodized finished available for architectural installations. The **SunBoss** frictionless idler is squeak free for quiet operation.



DIMENSIONS

Including chain routing.



USEFUL LINKS

