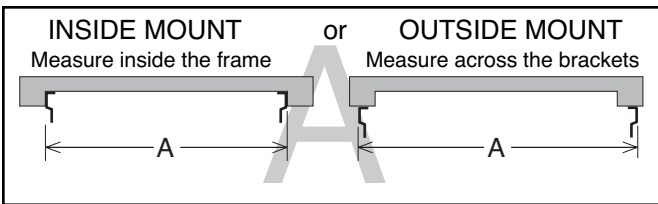


# Fabrication - Installation Instructions - RollEase Skyline Roller Shade

## 1. CALCULATE THE EXACT CUT WIDTH OF A SINGLE SHADE - DIMENSION "C"

A. Measure dimension ("A"), the distance between the outside of the brackets

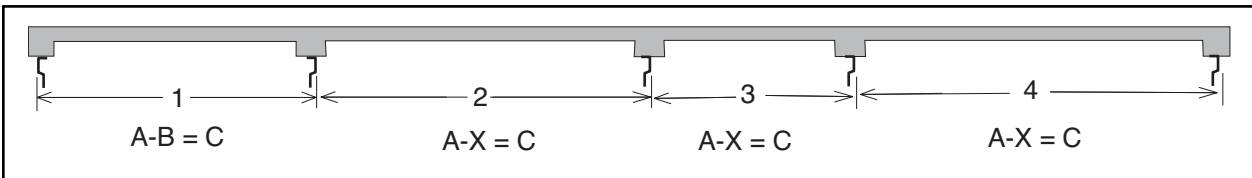
B. Subtract dimension ("B"), the amount of room taken up by the clutch, pin-end and brackets.



CLUTCH MODEL	DIMENSION B	DIMENSION "X"
	SINGLE SHADE	SHARED BRACKET
SL-8 or SL-12	7/8"	15/16"
SL-16	1 1/16"	1 3/16"
SL-16 (2" adapters)	1 3/16"	1 5/16"

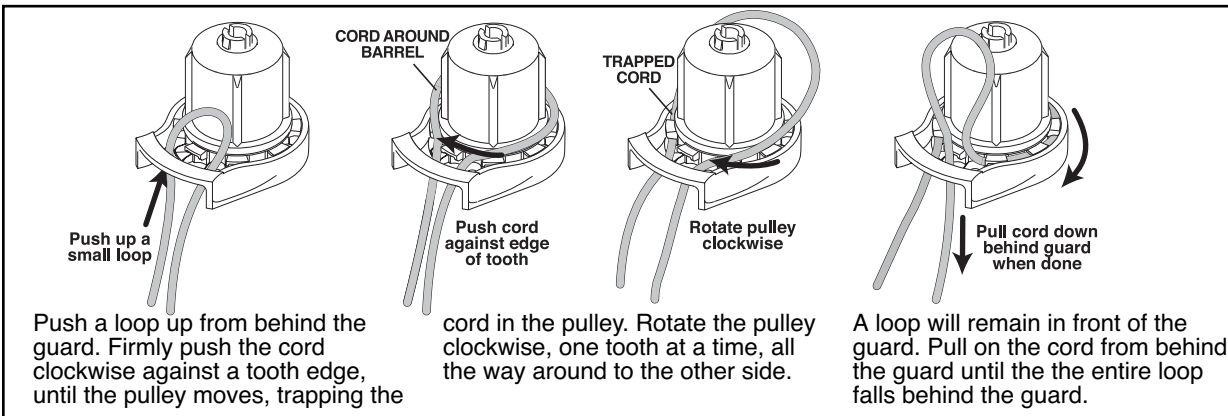
Use the formula:  $A - B = C$  For example: If measurement "A" is 38", and you're using a SL-16 clutch, from the chart "B" is 1 1/16"...so:  $38" - 1 \frac{1}{16}" = 36 \frac{15}{16}"$ ... **CUT DIMENSION "C" = 36 15/16"**. **CUT BOTH SHADE CLOTH AND TUBE TO CUT DIMENSION "C"**.

## 2. OPTION: SHARING A BRACKET



When calculating two or more shades which will share a bracket, the first shade is calculated as a single shade ( $A-B=C$ ) subsequent shades in the line will need an additional deduction, calculated as ( $A-X=C$ ). Calculations are based on starting from the further most left or right hand shade and calculating in order across the line. Note: bracket positions on subsequent shared shades will all follow the positioning of the first single shade shared bracket. ie...Clutches on shared bracket shades must be on the same side as the first shade in the line.

## 3. INSTALL THE BEAD CHAIN OR CONTROL CORD INTO THE CLUTCH.

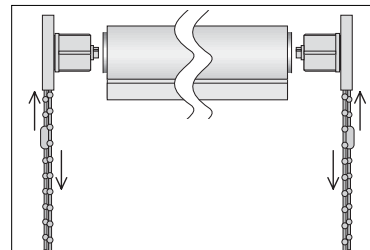


4. IF USING 2" TUBE, INSERT ADAPTERS. The adapters must be inserted into the tube before the clutch and plugs are inserted.

## 5. IF USING PLASTIC BEAD CHAIN, POSITION THE PLASTIC CONNECTOR AS THE UPPER SHADE STOP.

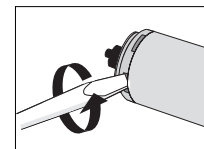
Decide which end of the tube you want to put the clutch in. Keep track of which is the "clutch end" of the tube. Roll the shade all the way up and lay it on the work table so it looks like this , and not like this

Point the clutch into "its" end of the tube, and pull on the upper chain until the connector touches the clutch firmly. (Do not attach the lower plastic stop, or any stops on metal bead chain, until installing the shade.)



## 6. INSERT THE CLUTCH AND END PLUG INTO THE TUBE.

**I M P O R T A N T:** To remove the clutch or end plug from the tube, gently twist a screwdriver in one or more of the slots between the plastic part and the metal tube. **DO NOT PULL** the parts out; you might break them. Only pry them on to lock the lug in position.



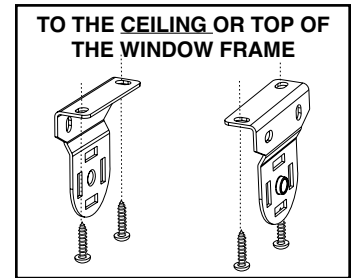
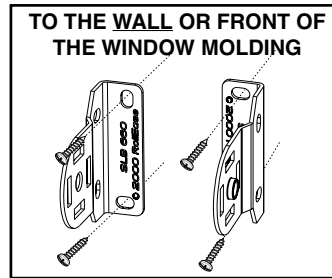
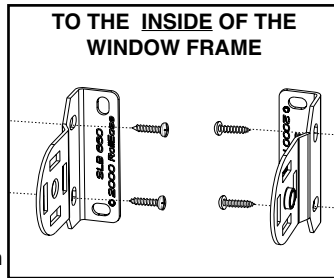
## Installation Instructions - RollEase Skyline Collection Roller Shade

### 1. MOUNT THE BRACKETS.

Attach the brackets to the window frame, window molding, wall or ceiling, as shown.

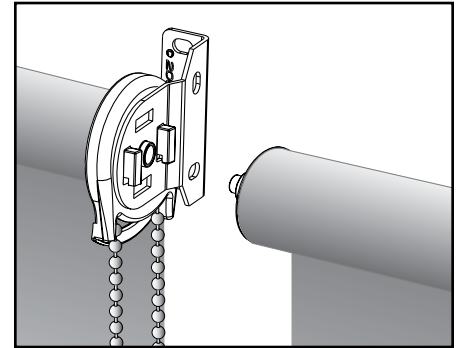
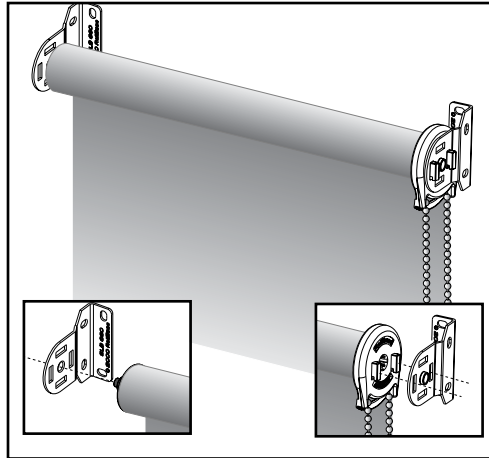
Brackets are universal so clutch may be mounted on either side.

**Note:** If sharing a bracket between two shades, bracket can only be shared by a clutch and a pin end, not clutch-to-clutch or pin end-to-pin end.



### 2. INSTALL THE SHADE.

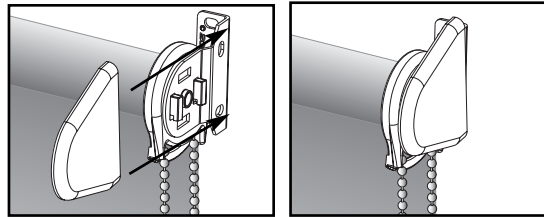
- Put the spring loaded pin into the round hole of the bracket.
- Keeping the pin end secured in its bracket, insert the hook arms on the clutch straight into the two hook arm receiver holes of the bracket. Once the two hook arms are through the holes, gently pull down on the clutch until the two hook arms have locked securely to the bracket. The bottom of the clutch should always point straight down.



**Note:** If sharing a bracket between two shades, bracket can only be shared by a clutch and a pin end, not a clutch-to-clutch or pin-end to pin-end.

### 3. INSTALL THE BRACKET COVERS

Bracket covers are slid over the bracket until snapped into position.

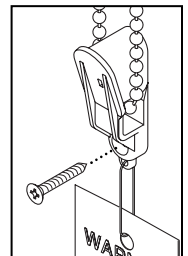


### 4. INSTALL THE TENSION DEVICE



The Tension Device reduces the hazards of strangulation and entanglement of young children by limiting access to the control cord. Anchor the Tension Device, that is attached to the shade's control cord, to the window frame or wall, so that young children cannot pull the cord around their necks.

- Lower the shade.
- Hold the Tension Device upright so the Warning Tag hangs straight down as shown in diagram.
- Position the Tension Device on the window frame or the wall so that the Tension Device and control cord do not interfere with raising or lowering the shade. **The Tension Device should be installed without stretching or pulling down on the control cord. Stretching the cord will cause excessive wear. Do not twist or cross the control cord.** If using stop balls, position the tension device  $\frac{1}{4}$  inch higher to allow the stop ball to pass thru the tension device.
- Holding the Tension Device upright, and in position, as shown, insert and secure the screw through the hole. **The mounting screw must be secured into a solid surface or molly.**



### 5. USE THE CONTROL CORD OR BEAD CHAIN TO OPERATE THE SHADE.

Pulling gently on the cord in one direction raises the shade; pulling it in the other direction lowers it.

On shades where the fabric rolls against the window, the front cord does the raising. On shades where the fabric rolls toward the room, the rear cord does the raising.

### 6. ATTACH STOPS TO A CONTROL CORD THAT'S MADE OF BEAD CHAIN.

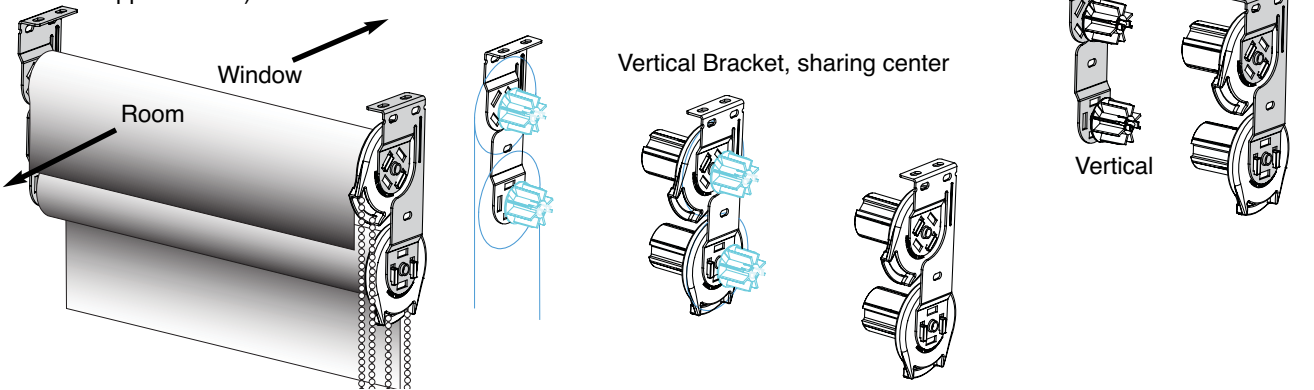
On metal bead chain, attach a metal stop ball that is at least  $\frac{5}{16}$ " in diameter, so that it touches the mouth of the clutch when the shade is in the all-rolled-up position.

For metal or plastic bead chain, lower the shade to sill or floor height, and attach the appropriate metal stop or plastic connector next to the clutch, this prevents the shade from being lowered beyond that point.

## Fabrication/Installation Instructions - RollEase Skyline Specialty Brackets & Fascia Systems

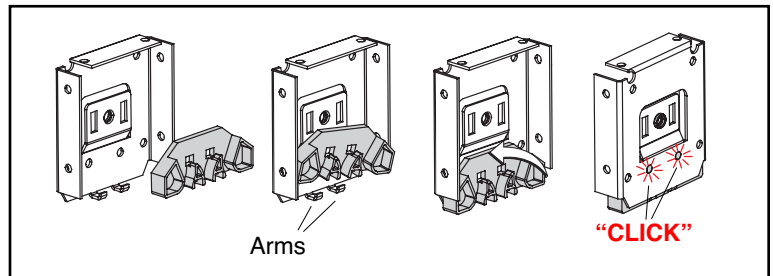
### Fabricating RollEase Skyline™ Double (Vertical or Horizontal Mount) Brackets

1. Inside mount deductions for the Double Bracket are the same as the regular brackets. (see chart on opposite side). **Vertical Brackets:** The upper shade must be a reverse roll shade (rolls off on room side) and the lower shade needs to be a standard roll shade (rolls off towards window). **Horizontal Brackets:** Shades can be mounted in any combination (front roll/reverse roll) Double Shades may also share a center bracket as show in the illustration, (see shared bracket deductions chart opposite side)

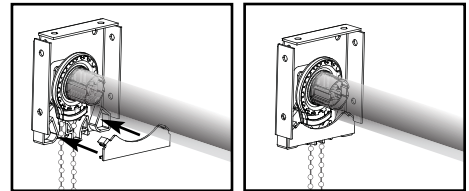


### Fabricating RollEase 3 or 4 Inch Skyline™ no-notch fascia

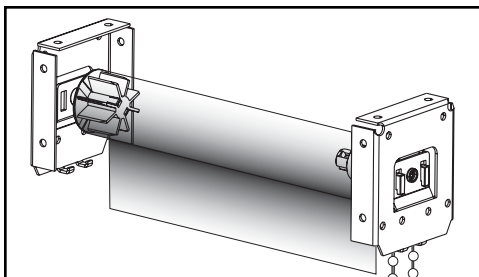
1. Cut shade tube shorter than the measured width based on the clutch-size deduction chart on the other side of this sheet. Regular and Fascia Brackets use the same deductions.
2. Cut fascia to desired width (no deductions or notching are required)
3. **3-inch Fascia:** Insert chain diverter into clutch side mounting bracket only. Hing the chain diverter on the brackets lower arms and rotate backwards into the bracket. Make sure the two round pins on the chain diverter “click” into the two matching round holes on the bracket. Failure to make sure diverter clicks in position may allow the diverter to fall out at later.



When using the SL-8 with fascia brackets and panel, install the shade and route the control cord/bead chain through the front two channels as usual. Snap the cord guard on the chain diverter as shown.

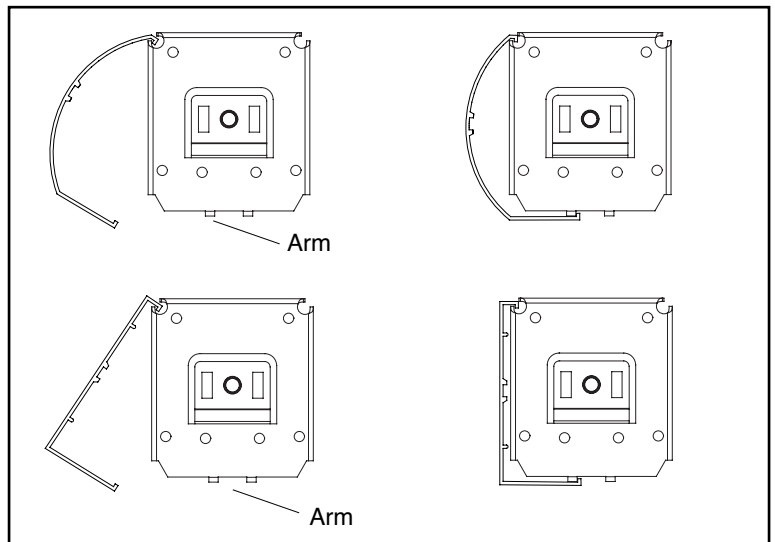


**4-Inch Fascia:** Chain diverter is not required on 4-Inch Fascia.



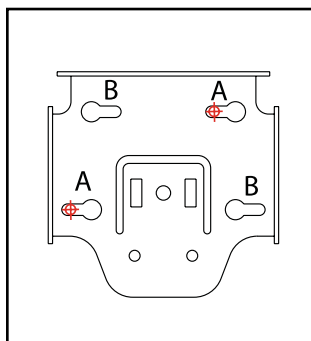
#### Attaching 3-inch Fascia

- 1.) Fascia may be cut to the exact desired width, no deductions are required to accommodate brackets, etc..
- 2.) Hook the fascia on the top of bracket first, and rotate downward and press until the hooked feature on the fascia engages and is locked to the bracket.

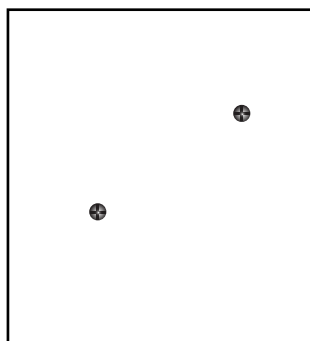


### Installing RollEase Skyline™ 4-Inch Fascia Brackets

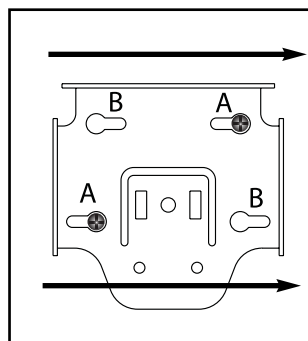
Skyline 4-Inch Brackets include slotted mounting holes, allowing, pre-marking and attaching of the mounting screws without the bracket needing to be in place. Brackets may be installed as usual without taking advantage of the slotted holes and pre-marking as well.



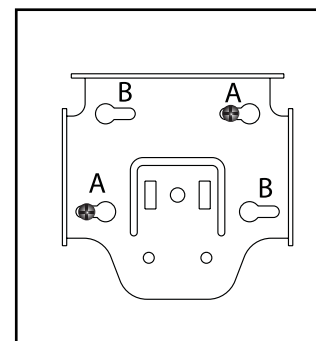
1.) Hold the mounting bracket in position in the window and mark the location where the screws should be positioned in either both A & A locations or B & B locations.



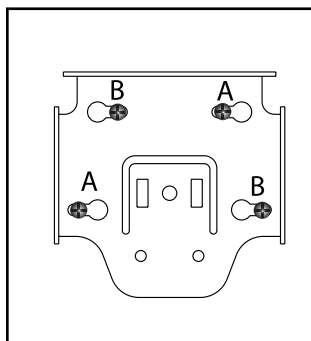
2.) Partially screw in both screws where marked.



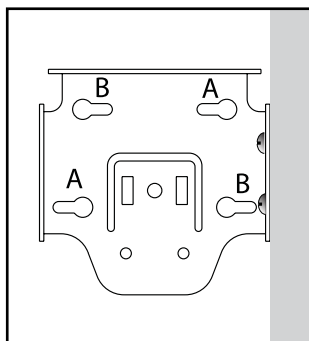
3.) Slip the mounting bracket over the two screws and slide the bracket sideways until the screw heads capture the bracket.



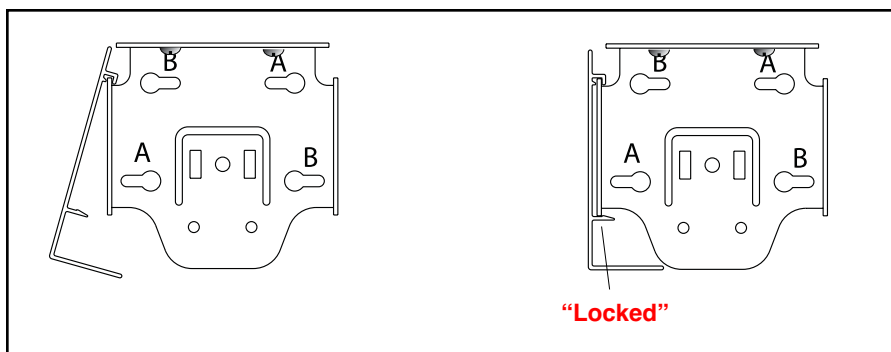
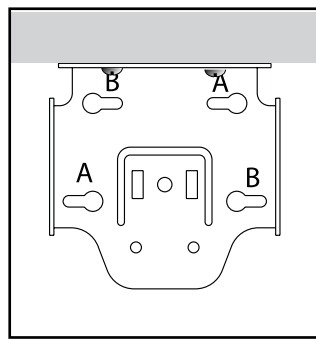
4.) Tighten these screws all the way.



5.) Install additional screws in the additional two holes or as required.



6.) The bracket contains other slotted mounting holes for rear or top mounted shades.



### Attaching 4-inch Fascia

- 1.) Fascia may be cut to the exact desired width, no deductions are required to accommodate brackets, etc..
- 2.) Hook the fascia on the top of bracket first, and rotate downward and press until the hooked feature on the fascia engages and is locked to the bracket.