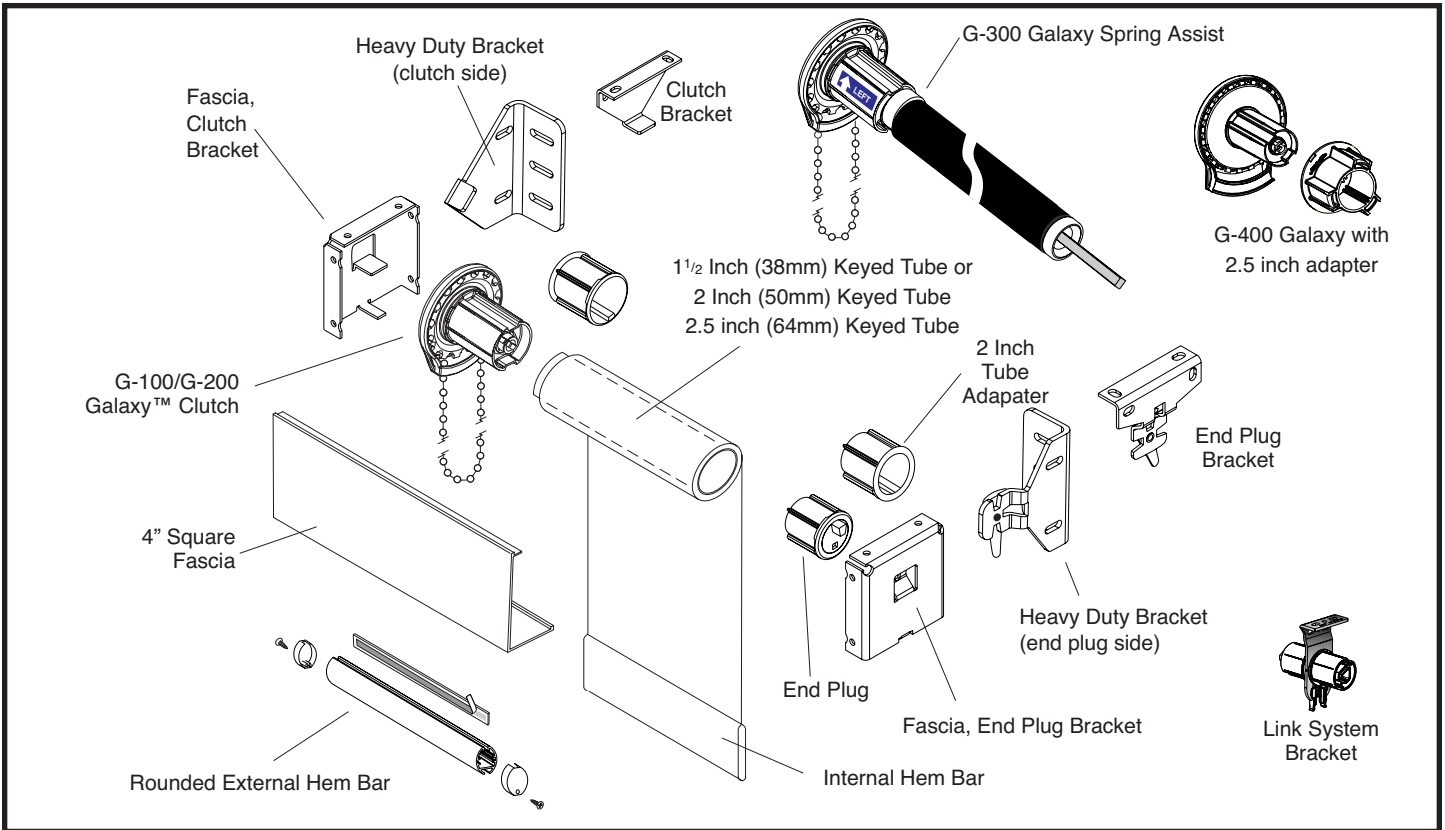


GALAXY SERIES OVERVIEW

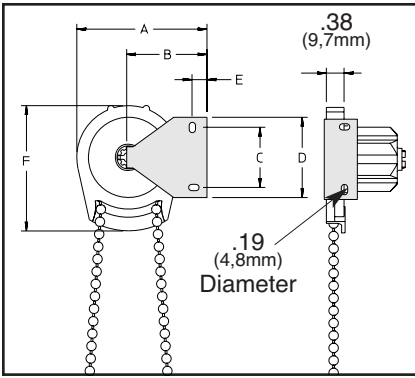


MAX WEIGHT	TUBE	MAX SHADE WIDTH*	CLUTCH PART NO.	TUBE PART NO.	END PLUG PART NO.	BRACKETS			
						1 1/2" (38mm) PROJECTION PART NO.	2" (50mm) PROJECTION PART NO.	2.25" PROJ. HEAVY DUTY BRACKETS	4" FASCIA BRACKETS
G100 16 lbs. (7,2 kg) 10 lbs. (4,5 kg)	1 1/2" (38mm) 2" * (50mm)	132" (335cm) 168" (427cm)	SL16C53 (W/BK) SL16C53 (W/BK)	RTEA4T12 RTEA5U14	REP53(W/BK) REP53(W/BK)	RB560 RB560	RB580 RB580	RBGAL RBGAL	RB581 RB581
						Link System Bracket (LS53(V/W/BK)) works with 1.5 inch tube			
G200 24 lbs. (10,8 kg) 20 lbs. (9,0 kg)	1 1/2" (38mm) 2" * (50mm) <i>*Must use 2" (50mm) Adapters (RA2), 2 per shade</i>	132" (335cm) 168" (427cm)	RGAL(W/BK)WH RGAL(W/BK)WH	RTEA4T12 RTEA5U14	REP53(W/BK) REP53(W/BK)	RB560 RB560	RB580 RB580	RBGAL RBGAL	RB581 RB581
						Link System Bracket (LS53(V/W/BK)) works with 1.5 inch tube			
G300 30 lbs. (13,5 kg) 30 lbs. (13,5 kg)	1 1/2" (38mm) 2" (50mm) <i>*Must use 2" (50mm) Adapters (RA2), 2 per shade</i>	132" (335cm) 168" (427cm)	RGALSA(36/45)(R/L)(W/BK)-6 RGALSA(36/45)(R/L)(W/BK)-6 <i>+(1) RA2 Adapter</i>	RTEA4T12 RTEA5U14	REP53(W/BK) REP53(W/BK) <i>+(1) RA2 Adapter</i>	n/a n/a	n/a n/a	RBGAL RBGAL	RB581 RB581
						Link System Bracket (LS53(V/W/BK)) works with 1.5 inch tube <i>No RB-560 because of bracket weight limitation of 24 lbs.</i>			
G400 53 lbs. (23,9 kg) 40 lbs. (18 kg)	1 1/2" (38mm) 2" ** (50mm)	132" (335cm) 168" (427cm)	RGAL400(W/BK) RGAL400(W/BK) <i>+(1) RA2 Adapter</i>	RTEA4T12 RTEA5U14	REP53(W/BK) REP53(W/BK) <i>+(1) RA2 Adapter</i>	n/a n/a	RB580 RB580	RBGAL RBGAL	RB581 RB581
32 lbs. (14,4 kg)	2 1/2" ** (64mm)	168" (427cm)	RGAL400(W/BK) <i>+(1) Adapter see below</i>	RTEA6U14	REP53(W/BK) <i>+(1) non-RollEase Adapter</i>	n/a	RB580	RBGAL	RB581
26 lbs. (11,7 kg)	3" *** (75mm)	168" (427cm)	RGAL400(W/BK) <i>+(1) non-RollEase Adapter</i>	n/a	REP53(W/BK) <i>+(1) non-RollEase Adapter</i>	n/a	RB580	RBGAL	RB581
						Link System Bracket (LS53(V/W/BK)) works with 1.5 inch tube			

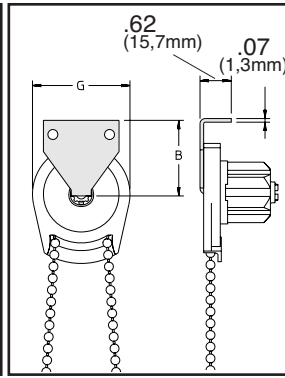
(* 2.0 Inch tube: Must use 2" Adapters (RA2), 2 per shade) (**2.5 inch tube: Must use 2.5" (64mm) Adapters; (Natural: **RGAL400A25**, Black: **RGAL400ABK**), 2 per shade) (3 inch tube: use your own adapter)
 Note: G-400 is recommended with 2.5 tube because of bead-chain run-through lengths. Maximum shade widths are given for light fabric and/or short shade drops. For more detail, consult the chart that specifies clutch and tube sizes.

COMPONENT DIMENSIONS

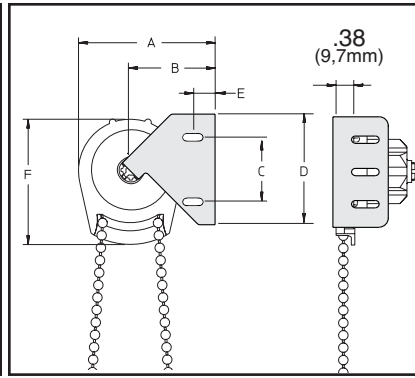
Dimensions in inches/mm



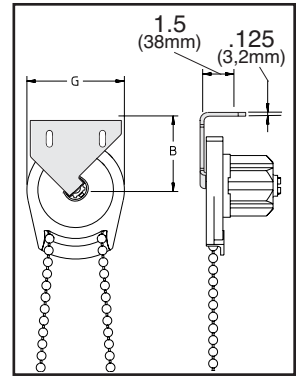
560/580 BRACKET
WALL or INSIDE MOUNT



560/580 BRACKET
CEILING MOUNT



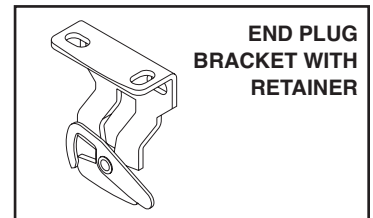
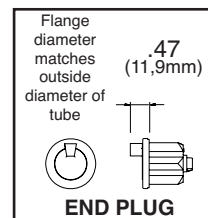
RBGAL BRACKET
WALL or INSIDE MOUNT



RBGAL BRACKET
CEILING MOUNT

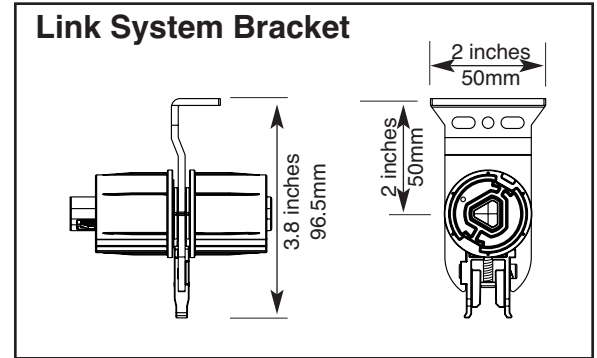
INCHES

CLUTCH MODEL	BRACKET MODEL	A	B	C	D	E	F	G
G-100 and G-200	560	2.95	1.62	2.0	2.5	0.31	3.21	2.65
	580	3.45	2.12	2.0	2.5	0.31	3.21	2.65
G-400	RBGAL	3.56	2.25	1.75	3.0	0.60	3.21	2.65
	580	3.91	2.12	2.0	2.5	0.31	4.29	3.58
G-400	RBGAL	3.56	2.25	1.75	3.0	0.60	3.21	2.65



MILLIMETERS

CLUTCH MODEL	BRACKET MODEL	A	B	C	D	E	F	G
G-100 and G-200	560	75	41	50	63	8	82	67
	580	88	53.8	50	63	8	82	67
G-400	RBGAL	90	57	44	76	15	82	67
	580	99	54	50	63	18	100	91
G-400	RBGAL	90	57	44	76	15	82	67



BEAD CHAIN

It is very important that the #10 metal bead chain used with RollEase clutches meets our specifications.

If you purchase metal bead chain from a source other than RollEase, Inc. you must specify the following:

QUALIFIED #10 metal bead chain, 50-51 beads per foot, with a bead diameter of 3/16" (.1875") (4.8mm) ("Qualified" means that the chain must have uniform bead spacing) RollEase, Inc. sells the correct #10 chain in metal as well as plastic. The breaking strength of our standard #10 qualified metal bead chain is 45 pounds (20 kg) . Stainless steel chain is rated to 90lbs.

TENSION DEVICE

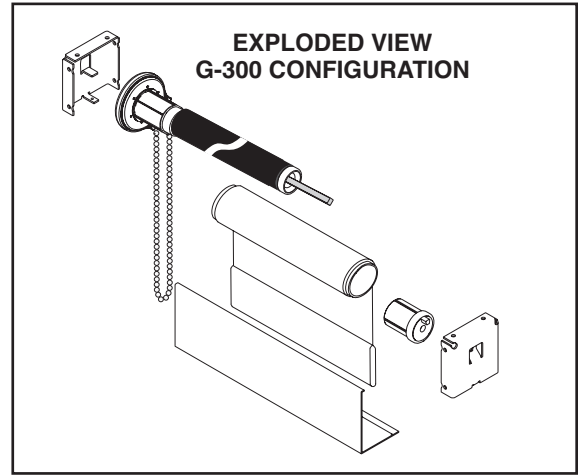
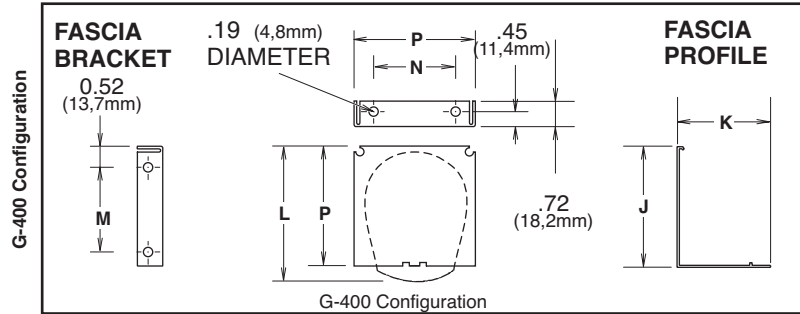
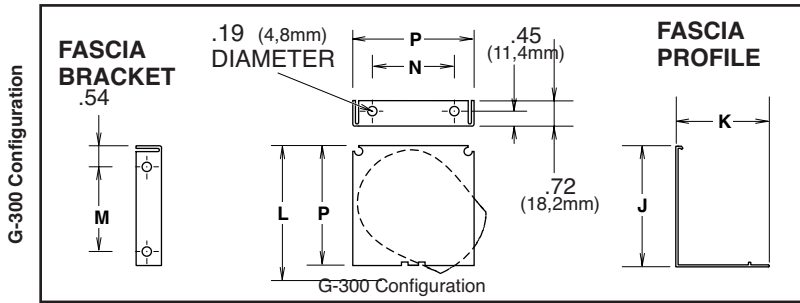
Fabricators must ship a Tension Device attached to every finished shade.

CLUTCHES In figuring weight, include only the shade cloth, bottom slat and trim. Do not include the weight of the tube, clutch or other RollEase components. Order all clutches to match the tube size. A 1 1/2 inch (38mm) clutch is made to fit tubes with an outside (not inside) diameter of 1 1/2 inches (38mm).

PIN ENDS The RollEase PIN END is easy to install. It mounts securely and is smooth, quiet and durable. Order end plugs to match tube size.

BRACKETS Our patented "universal" brackets can be mounted to the wall, window frame or ceiling, with the clutch at either end of the shade.

FASCIA SYSTEM



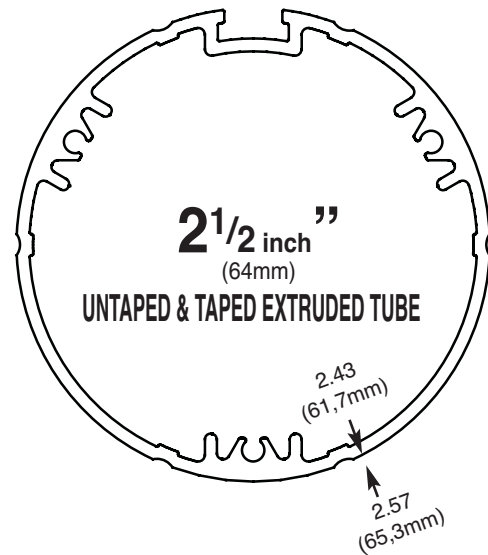
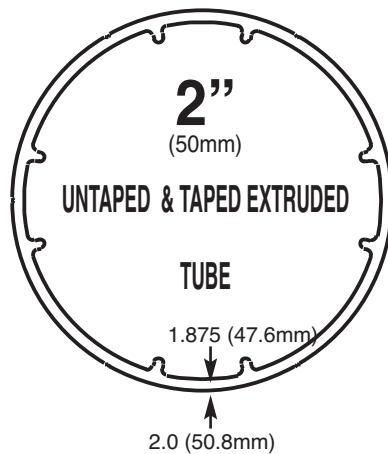
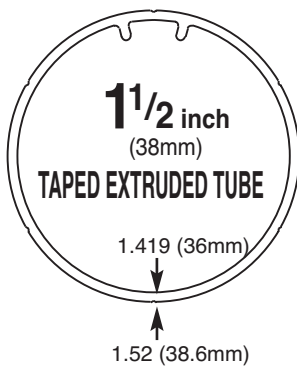
INCHES

CLUTCH MODEL	BRACKET MODEL	FASCIA HEIGHT	J	K	L	M	N	P
G-300	581	4 IN	4.06	2.78	n/a	3.08	2.93	4.00
G-400	581	4 IN	4.06	2.78	4.50	3.08	2.93	4.00

MILLIMETERS

CLUTCH MODEL	BRACKET MODEL	FASCIA HEIGHT	J	K	L	M	N	P
G-300	581	102	103	71	n/a	78	74	102
G-400	581	103	103	71	114	78	74	102

TUBE



Tube Tolerance Note: RollEase tube complies with Aluminum Industry Specification tube bow tolerances. This specification corresponds to the length of the tube, and is 0.010" x Measured Length, Ft. Example: A tube measuring 12 ft. has a maximum deflection (D) of 0.12 inch (0.010" x 12")